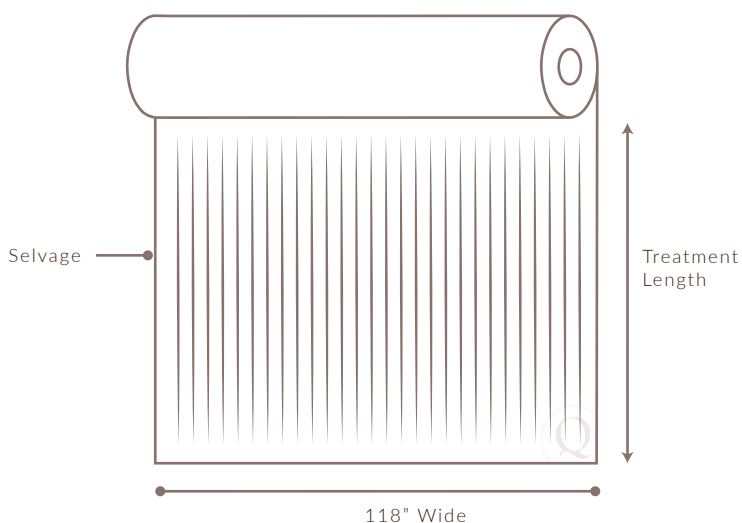


FABRIC
RAILROADING
RESOURCE

THINGS TO KNOW

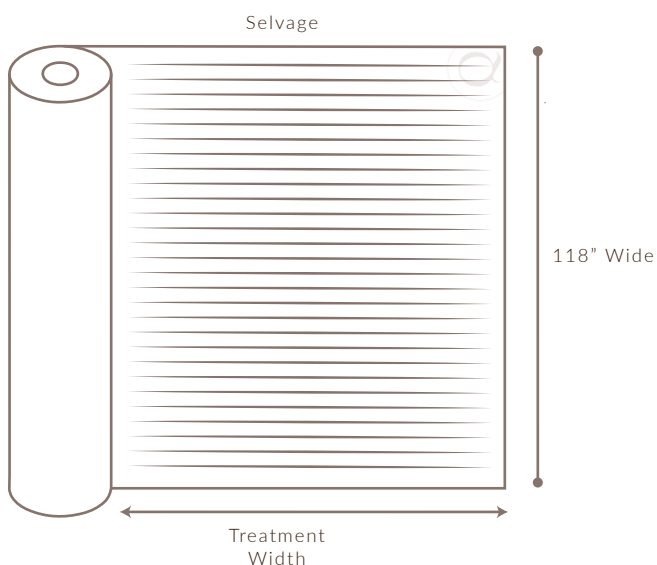
UP THE ROLL (UTR)

Fabric is cut to treatment length and panels are serged together to finish width. Pattern on wall will appear as pattern on roll.



RAILROAD

Fabric is cut to treatment width. Fabric width is limiting factor for treatment length. Pattern on wall will appear rotated 90° from pattern on roll.



QUILT CRAFT
| QUILTCRAFT